

# D-SUB Male Dual Row Crimp Type (stamped Pin)

**ROHS COMPLIANT**

	09pin	15pin	25pin	37pin
A	16.92	25.25	38.96	55.42
B	24.99	33.32	47.04	63.50
C	30.80	39.10	53.00	69.30

### Material (材料):

Housing (塑胶): Temperature Thermoplastics, PBT+G.F UL 94V-0

Contact (端子): Brass or Bronze

Shell (壳): 0.35T Steel Nickel Plating All Area

### Electical Characteristics (电气性能):

Current Rating (额定电流): 5A

Contact Resistance (接触阻抗): 20 milliohms Max

Withstanding Voltage (耐电压): 500V AC For 1 Minute

Insulation Resistance (绝缘阻抗): 1000 Megohms Min

Operating Temperature (温度范围): -55° C to +105° C

### Ordering Code:

DC01 - M - X - A - A - B - S  
 ① ② ③ ④ ⑤ ⑥ ⑦

① Dual Row Crimp Type

② Contact Type:  
M: Male

③ Contact NO.:  
09=09pin 15=15pin  
25=25pin 37=37pin

④ Mounting Option:  
A: No accessories  
B: Rear Rivet  
C: Front Rivet

⑤ Accessories:

0: Non Accessories

A: Zinc alloy 4.8mm Nickel

Al: Zinc alloy 5.8mm Nickel

B: Iron 4.8mm Nickel

B1: Iron 5.8mm Nickel

C: Copper alloy 4.8mm Nickel

C1: Copper alloy 5.8mm Nickel

D: Copper screw 4.8mm Nickel

D1: Copper screw 5.8mm Nickel

⑥ Color Code:

W: White L: Blue

B: Black G: Grey

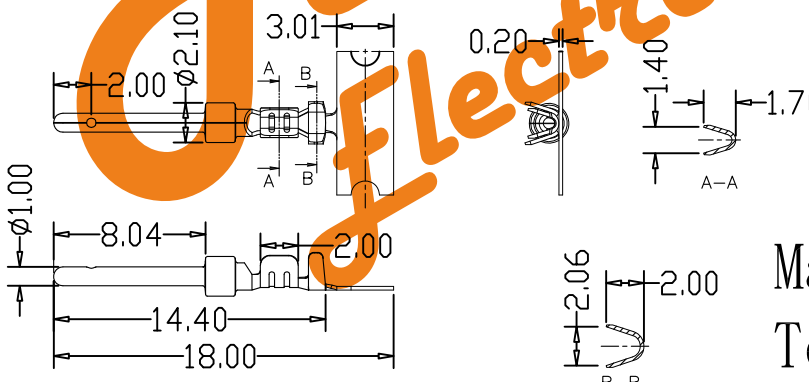
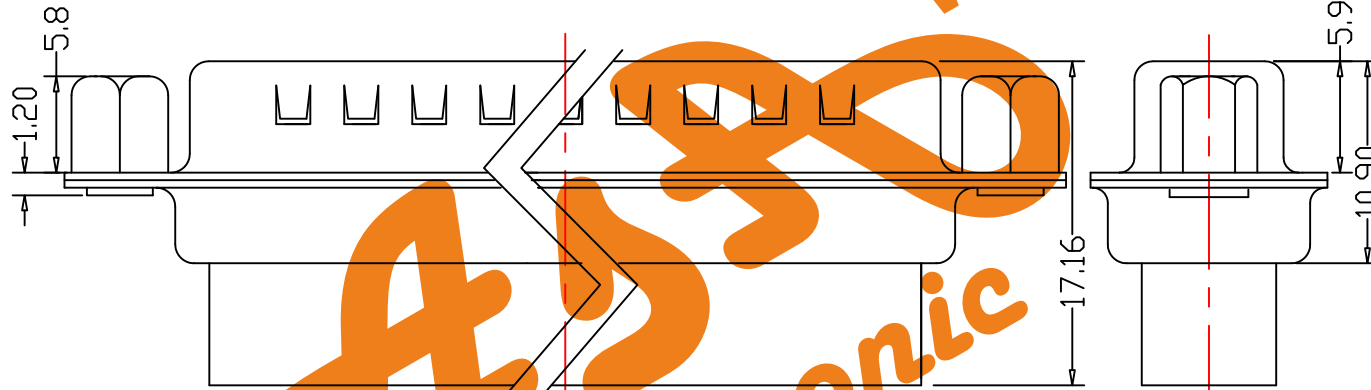
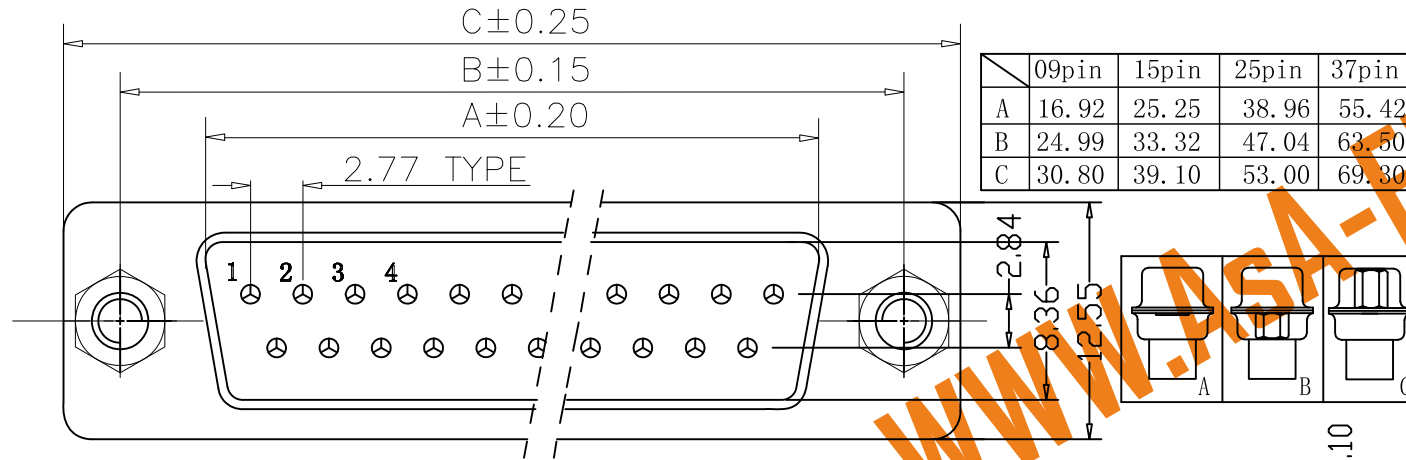
⑦ Contact Plating

S: Selective Gold

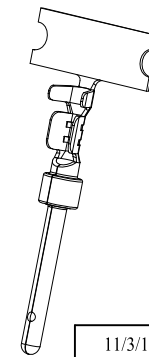
G0: Gold flash G1: 3u" Gold

G2: 5u" Gold G3: 10u" Gold

G4: 15u" Gold G5: 30u" Gold



Male Terminal



Unless Otherwise specified tolerance

X±0.35  
X.X±0.25  
X.XX±0.20  
X.XXX±0.15

SCALE: 1:1

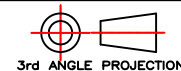
UNIT:  
mm

DRAWN: junfon H

CHECKED: YANG

11/3/1

DATE



AsA Electronic Co.

Tel: (+98) 21 66 73 56 82 Mob: (+98) 912 03 161 02

TITLE:  
D-SUB Male Dual Row Crimp Type  
(stamped Pin)

DRAWING NO: DC01-MXXXXX

PRODUCT NO: DC01-MXXXXX